

Secure Solutions® Storage

SIN: 426-4G



General Services Administration

Federal Supply Service

Authorized Federal Supply List

Total Solutions for Law Enforcement FSC 84

Contract Number: GS-07F-0124Y Contract Period: December 1, 2011 through November 30, 2026

For more information on ordering click on the FSS Schedules button at fss-gsa.gov.

Contractor's Information: Accurate Perforating, 3636 S Kedzie Ave, Chicago, IL 60632

Phone: 888-898-1411 Fax: 773-254-9453 Business size: Small TIN#36-2085799 Cage Code: 83906

www.accuratemetalfab.com



Prices Shown Herein are Net (discount deducted). See page WR2 for ordering information.

ON-LINE ACCESS to ordering information, terms and conditions, up-to-date pricing and the option to create an electronic delivery order through GSA ADVANTAGE!, a menu driven database system. The internet address for GSA ADVANTAGE is: <http://GSAAdvantage.gov>



Weapon Racks Customer Information

How to place an order

Email

gsaorders@accuratemetalfab.com

Mail

Accurate Perforating
3636 S Kedzie Ave.
Chicago, IL 60632

1(888) 898-1411

Provide the following information

1. Purchase order number
 2. "Bill to" and "ship to" name and address
 3. Description
 4. Quantity
- Confirm all phone orders in writing within 3 days. It is the purchaser's responsibility to check the Accurate Perforating acknowledgment document for accuracy.

The following terms and conditions are hereby incorporated into this contract:

- 1A. SPECIAL ITEM NUMBERS: 426-4G
BASIC DISCOUNT : 61.5% excluding MFGL-RSS.
- 1B. LOWEST NET PRICES: Item number 426.4G: WRBS: \$5.82
- 1C. NOT APPLICABLE
2. MAXIMUM ORDER: \$200,000.00 Net Product
3. MINIMUM ORDER: None
4. GEOGRAPHIC COVERAGE: 48 contiguous states and District of Columbia
5. POINT OF PRODUCTION: Chicago, Cook, Illinois
6. DISCOUNT FROM LIST PRICE ARE SHOWN: (as net, with discounts already deducted)
7. QUANTITY DISCOUNTS: None
8. PROMPT PAYMENT TERMS: 1% 15(fifteen) Days, Net 30
- 9A. GOVERNMENT COMMERCIAL CREDIT CARD IS ACCEPTED
- 9B. ADDITIONAL DISCOUNT FOR PAYMENT BY GOVERNMENT COMMERCIAL CREDIT CARD IS NOT APPLICABLE
10. FOREIGN ITEMS: None
- 11A. TIME OF DELIVERY: 30 days A.R.O.
- 11B. EXPEDITED DELIVERY: Most items are available for Quick Ship in Five Days in limited quantities and finishes. See page 6 & 7 of contractor contract for details.
- 11C. OVERNIGHT AND 2 DAY DELIVERY AVAILABLE FOR SOME ITEMS: Contact Contractor
- 11D. URGENT REQUIREMENTS: Contact Contractor
12. F.O.B. POINT: Destination to receiving point within 48 contiguous states and District of Columbia (street or dock). Inside delivery is available at an additional charge.
- 13A. ORDERING ADDRESS: Accurate Perforating, 3636 S Kedzie Ave, Chicago, IL 60632
- 13B. ORDERING PROCEDURES: For supplies and services, the ordering Procedures, information on Blanket Purchasing Agreements (BPA's) are found in Federal Acquisition Regulation (FAR) 8.405-3
14. PAYMENT ADDRESS: Accurate Perforating, PO Box 1156, Bedford Park, IL 60499-1156
15. WARRANTY PROVISIONS: Lifetime Warranty as shown
16. EXPORT PACKAGING CHARGES: Write or call for quotation
17. GOVERNMENT COMMERCIAL CREDIT CARD HOLDERS ARE INVOICED AT THE TIME OF SHIPMENT
18. TERMS AND CONDITIONS OF RENTAL, MAINTENANCE AND REPAIR: not applicable
19. TERMS AND CONDITIONS OF INSTALLATION: QUOTED ON INDIVIDUAL CASE BASIS
20. TERMS AND CONDITIONS OF REPAIR PARTS indicating date of parts price lists and any discounts from list prices (if applicable)
- 20A. TERMS AND CONDITIONS FOR ANY OTHER SERVICES: not applicable.
21. LIST OF SERVICE AND DISTRIBUTION POINTS: not applicable
22. LIST OF DEALERS: contact contractor
23. PREVENTATIVE MAINTENANCE: not applicable
- 24A. ENVIRONMENTAL ATTRIBUTES: Steel components contains 15% post consumer recycled steel.
25. DATA UNIVERSAL NUMBER SYSTEM: (DUNS) number: 005066261
26. CENTRAL CONTRACTOR REGISTRATION: Accurate Perforating is registered in CCR

Gear Rapid Sanitizing System (RSS)



Kill up to 99.99% of pathogens and viruses on Masks and other PPE equipment utilizing a chemical-free, dry ozone process.

Sanitizing capacity (Military/ First Responders):

- 33 cubic feet (60% greater than nearest competitor)
- 32-35 tactical helmets, 21-24 tactical vests
- Processing capacity: 96-128 helmets/Masks per hour, 42-63 vests/hour
- Capacity will vary based on size of equipment.

Other features and benefits:

- Proprietary ozone destruction technology enables optimum ozone levels and greatest bacteria kill rates.
- Optional Ozone Distribution Piping for fabrics and other clothing or apparel.
- Ozone generator provides consistent ozone levels, even in high humidity or with damp gear.
- LCD touch screen display with Variable Timing Cycles and Data Collection Display. No need to download statistics to a flash card. View right on machine.
- Password authentication feature enables authorization codes for machine utilization.
- Select sanitizing cycles from 10 minutes, up to 60 minutes depending on sanitizing needs.

Safety features:

- Safety Approval: In addition to internal quality assurance procedures, each unit is individually inspected and approved by CSA designated agency to achieve CSA Standard SPE-1000-09 for electrical products.
- Industrial strength PLC controls ozone generation, distribution, destruction and monitors components. No failure-prone circuit boards utilized.
- Advanced ozone destruct technology: Ensures that ozone has reverted back to oxygen before the doors can be opened by the operator. Meets OSHA and MOL requirements.
- Electronic door lock: Door automatically locks during operation. Unit won't operate without door sealed.
- Circuit verification: Machine will not operate if safety component failure is detected.
- Stainless Steel chamber: Ozone resistant stainless steel leaves no room for leakage or corrosion.
- Ozone-resistant door seal: EPDM seals around the single-sheet solid steel door.

Specifications:

Dimensions: Fits through standard 32" door

Exterior: 48" width x 34" depth x 64" height;

Interior: 47.5" x 29" x 46.5"

Weight: Approximately 500 lbs.

Casters: 4" Industrial Grade Casters enable mobility. Two casters lock for stability

Electrical: Std. 110/120 volt, 8 amps, GFCI Plug, ESA approved

Cabinet: Solid, 14 gauge, single-sheet, Stainless Steel (leak proof, rust proof)

Maintenance: Replace 2 UV bulbs every 12-18 months. Replacement bulbs sold separately

Model: MFGL-RSS

Rapid Ozone Sanitizing System

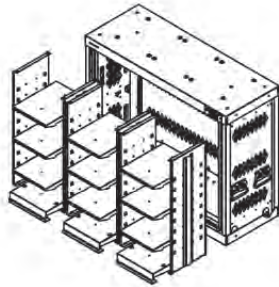
48"W x 34"D x 64"H

GSA Price: \$19,137.46

Weapon Racks

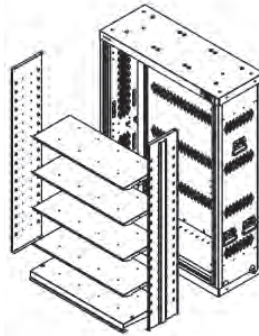
Secure Solutions® Weapons Storage

SIN: 426-4G



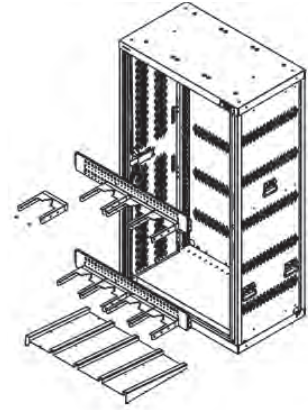
Model: MWR34BN
34" tall with 21 bins for
optics/NVG
42"W x 16.25"D x 34"H

Price: \$963.27



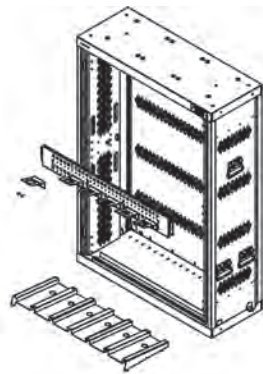
Model: MWR61SH
61" tall rack with 4 full
shelves
42"W x 16.25"D x 61"H

Price: \$961.54



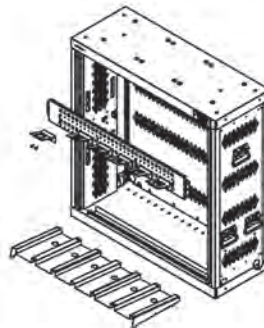
Model: MWR120MM
4 120MM Mortars
42"W x 24"D x 76"H

Price: \$1,656.25



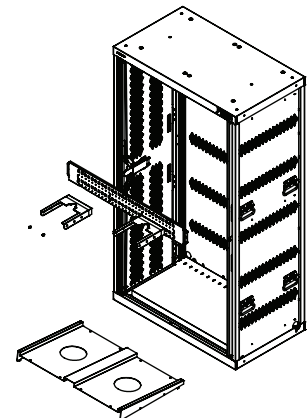
Model: MWR240B
6 M240B's
42"W x 16.25"D x 61"H

Price: \$938.40



Model: MWR249
6 M249's
42"W x 16.25"D x 45"H

Price: \$787.71



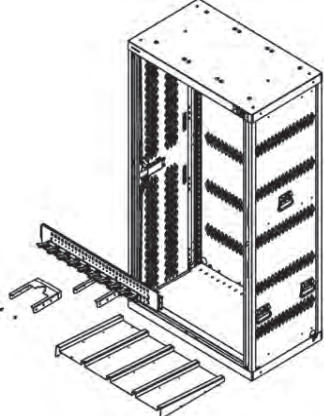
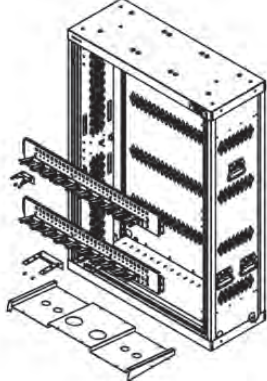
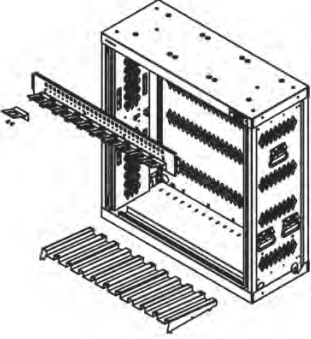
Model: MWR TOW
2 TOW's
42"W x 24"D x 76"H

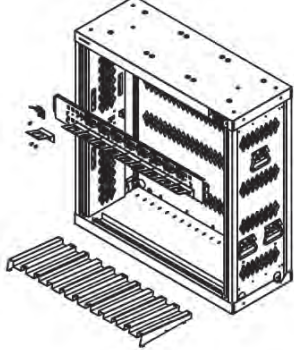
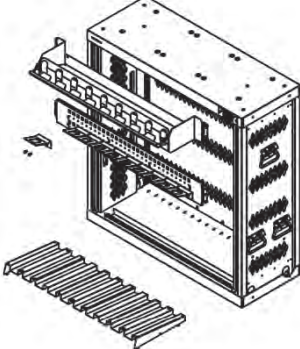
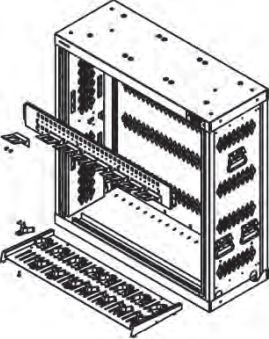
Price: \$1,848.00

Weapon Racks

Secure Solutions® Weapons Storage

SIN: 426-4G

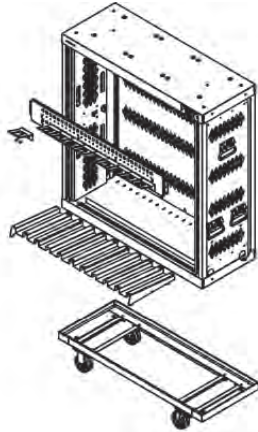
 <p>Model: MWRCLU 2 CLU Javelins 42"W x 24"D x 76"H</p> <p>Price: \$1,539.11</p>	 <p>Model: MWRM2 2 M2's plus 4 spare barrels 42"W x 16.25"D x 61"H</p> <p>Price: \$941.90</p>	 <p>Model: MWRM4-16-500 10 M4's/M16's/M500's 42"W x 16.25"D x 45"H</p> <p>Price: \$810.81</p>
---	---	--

 <p>Model: MWRM4-16-500M9 10 M4's and 9 M9's on pegs 42"W x 16.25"D x 45"H</p> <p>Price: \$870.58</p>	 <p>Model: MWRM4-16-500M9T 10 M4's and 9 M9's in a tray 42"W x 16.25"D x 45"H</p> <p>Price: \$908.99</p>	 <p>Model: MWRM4-16-500M249 Combination M4's and M249's 42"W x 16.25"D x 45"H</p> <p>Price: \$836.22</p>
--	--	---

Weapon Racks

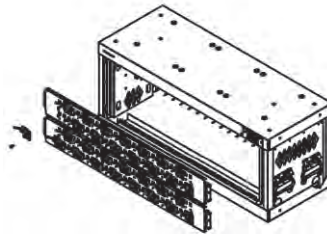
Secure Solutions® Weapons Storage

SIN: 426-4G



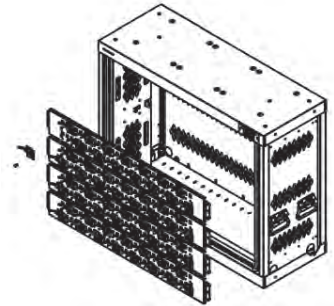
Model: MWRM4-16-500MOBILE
10 M4'S on a caster cart
42"W x 16.25"D x 45"H

Price: \$984.06



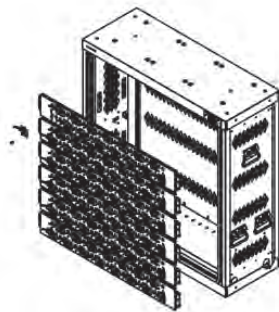
Model: MWRM930
30 M9'S on pegs
42"W x 16.25"D x 18"H

Price: \$802.15



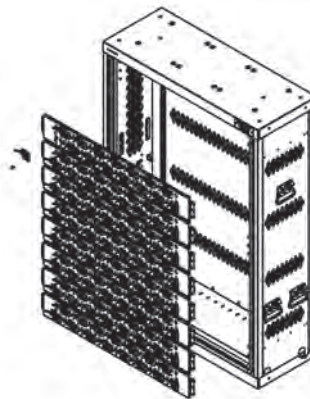
Model: MWRM960
60 M9's on pegs
42"W x 16.25"D x 634"H

Price: \$1,113.42



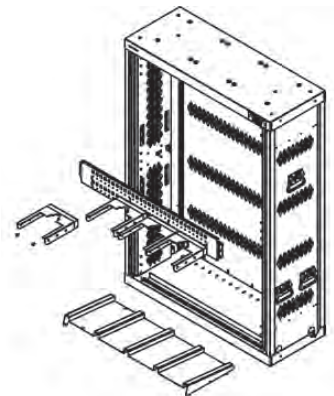
Model: MWRM990
90 M9's on pegs
42"W x 16.25"D x 45"H

Price: \$1,410.25



Model: MWRM9120
120 M9's on pegs
42"W x 16.25"D x 61"H

Price: \$1,779.28



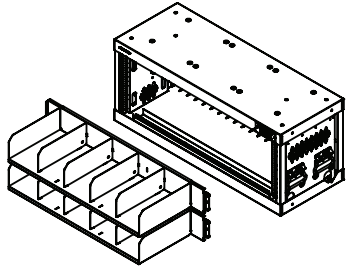
Model: MWRMK19
4 MK19's
42"W x 16.25"D x 45"H

Price: \$926.31

Weapon Racks

Secure Solutions® Weapons Storage

SIN: 426-4G

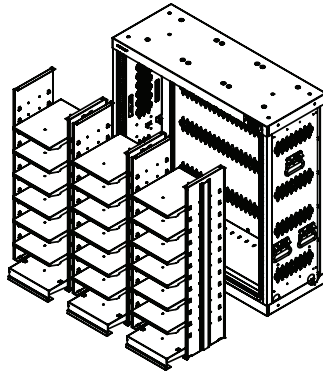


Model: MWR18BN

18" tall with 10 bins for optics/NVG

42"W x 16.25"D x 18"H

Price: \$754.60

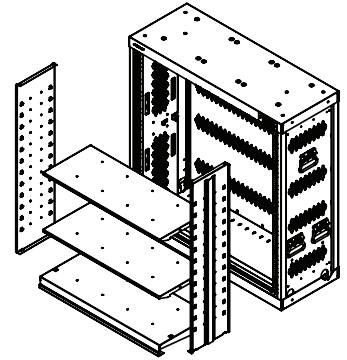


Model: MWR45BN

45" tall with 21 bins for optics/NVG

42"W x 16.25"D x 45"H

Price: \$1,159.04

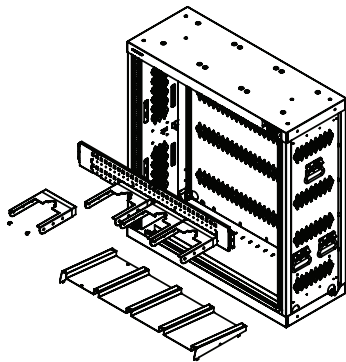


Model: MWR45SH

45" tall rack with 2 full shelves.

42"W x 16.25"D x 45"H

Price: \$768.65

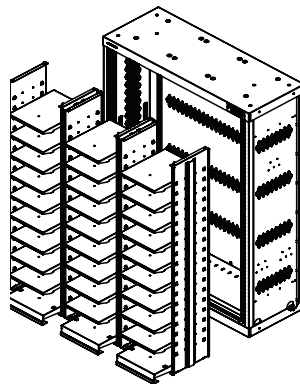


Model: MWR60MM

4 60MM Mortars

42"W x 16.25"D x 61"H

Price: \$810.81

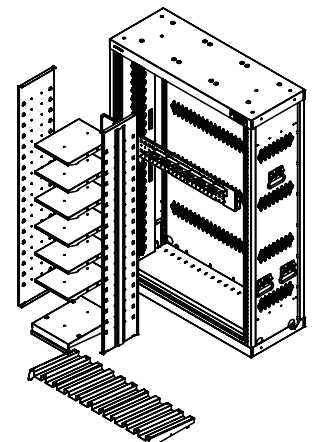


Model: MWR61BN

30 bins for optics

42"W x 16.25"D x 61"H

Price: \$1,433.93



Model: MWR61G-6BN6

6 guns with bin storage

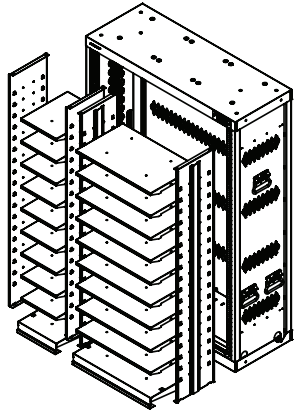
42"W x 16.25"D x 61"H

Price: \$1,079.93

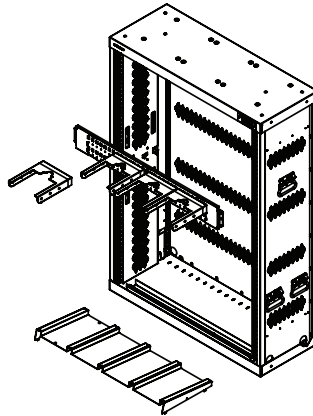
Weapon Racks

Secure Solutions® Weapons Storage

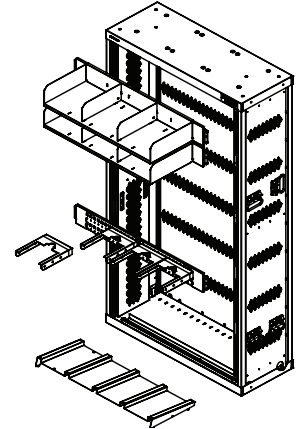
SIN: 426-4G



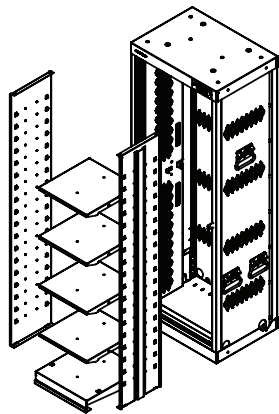
Model: MWR61S-23BN13
Cabinet with 10 bins and shelves
42"W x 16.25"D x 61"H
Price: \$1,262.42



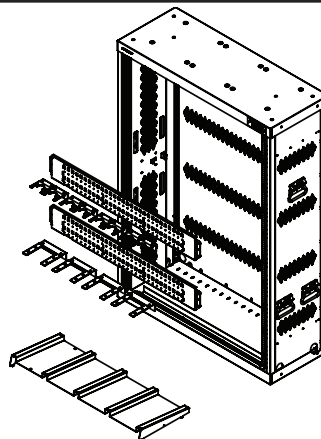
Model: MWR81MM
4 81MM Mortars
42"W x 16.25"D x 61"H
Price: \$926.31



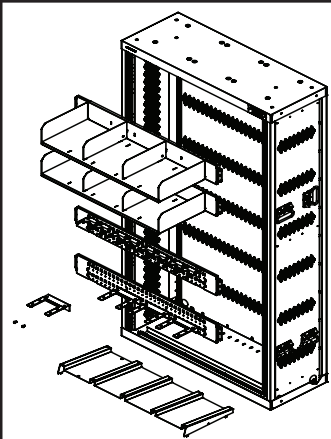
Model: MWR81MM SH
4 81MM Mortars
42"W x 16.25"D x 84"H
Price: \$1,732.50



Model: MWR6122SH
Locker type cabinet
22.5"W x 16.25"D x 61"H
Price: \$962.50



Model: MWRM2(4)
4 M2's plus spare barrels
42"W x 16.25"D x 61"H
Price: \$995.03

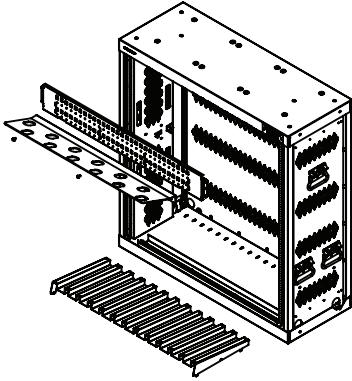
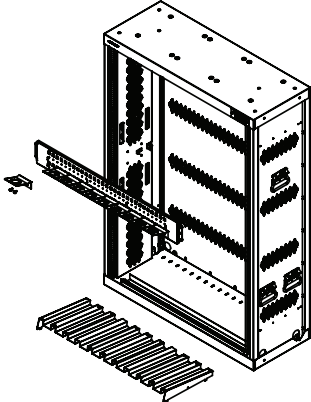
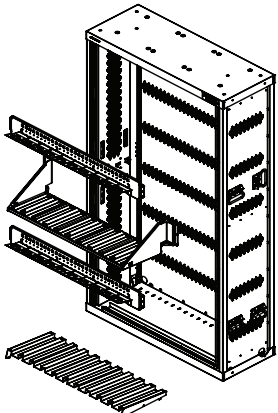


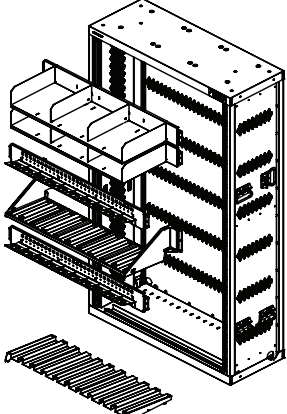
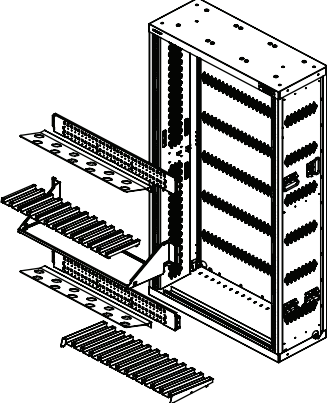
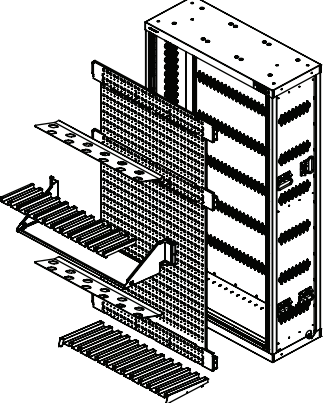
Model: MWRM2(4) SH
4 M2's in rack with bins
42"W x 16.25"D x 84"H
Price: \$1,636.25

Weapon Racks

Secure Solutions® Weapons Storage

SIN: 426-4G

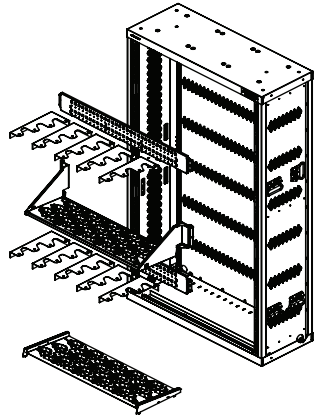
 <p>Model: MWRM4-12 12 M4's/M16's 42"W x 16.25"D x 45"H</p> <p>Price: \$868.56</p>	 <p>Model: MWRM14/ M110/M24 10 each in any combination 42"W x 16.25"D x 61"H</p> <p>Price: \$965.58</p>	 <p>Model: MWRM16-20 20 M4's 42"W x 16.25"D x 61"H</p> <p>Price: \$1,636.25</p>
---	---	--

 <p>Model: MWRM16- 20SH 20 M4's in rack with bin 42"W x 16.25"D x 84"H</p> <p>Price: \$1,636.25</p>	 <p>Model: MWRM16-24 24 M4's 42"W x 16.25"D x 84"H</p> <p>Price: \$1,636.25</p>	 <p>Model: MWRM16- 24BP 24 M4's with back for M9 placement 42"W x 16.25"D x 84"H</p> <p>Price: \$1,780.63</p>
--	---	--

Weapon Racks

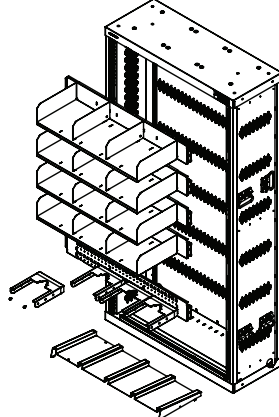
Secure Solutions® Weapons Storage

SIN: 426-4G



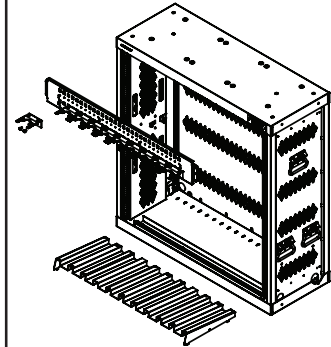
Model: MWRM16-30SC
30 M4/M16
42" W x 16.25" D x 84" H

Price: \$1,828.75



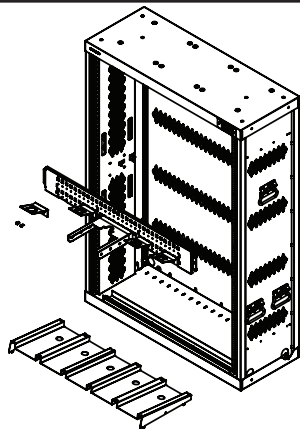
Model: MWRM-60MMSH
4 60MM Mortars
42" W x 16.25" D x 84" H

Price: \$1,732.50



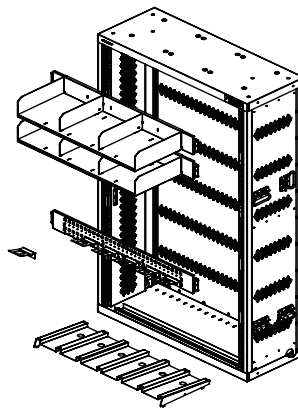
Model: MWRM203/M500
10 M203 or shotguns
42" W x 16.25" D x 45" H

Price: \$799.26



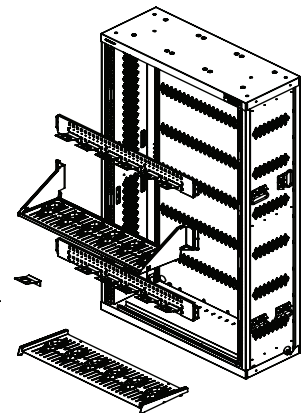
Model: MWRM240-MK19
1 MK19's and 4 M240B's
42" W x 16.25" D x 84" H

Price: \$932.09



Model: MWRM240SH
6 M280B's
42" W x 16.25" D x 84" H

Price: \$1,636.25



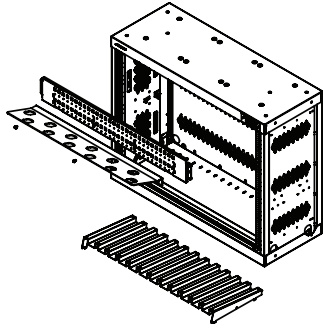
Model: MWRM249-12SC
12 M49's
42" W x 16.25" D x 84" H

Price: \$1,636.25

Weapon Racks

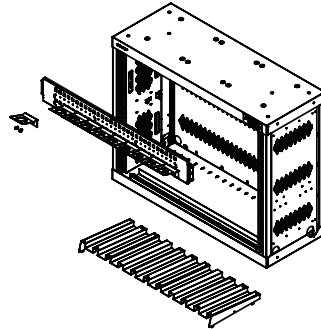
Secure Solutions® Weapons Storage

SIN: 426-4G



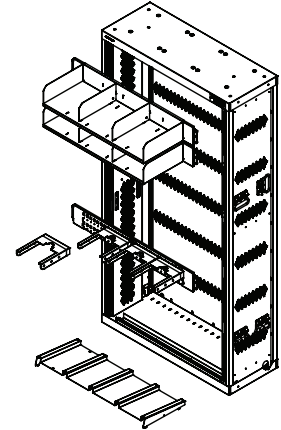
Model: MWRM434-12
12 M4's
42"W x 16.25"D x 34"H

Price: \$825.25



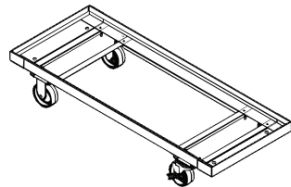
Model: MWRM434
10 M4's
42"W x 16.25"D x 34"H

Price: \$767.50



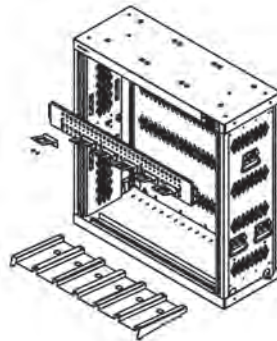
Model: MWRMK19SH
4 MK19's
42"W x 16.25"D x 84"H

Price: \$1,636.25



Model: WRC42GN
43"W x 17"D x 7.5"H

Price: \$176.25



Build Your Own Weapon Rack

Designed specially for
your equipment.

Call: (888) 898-1411

Ask for Ken Wesolowski